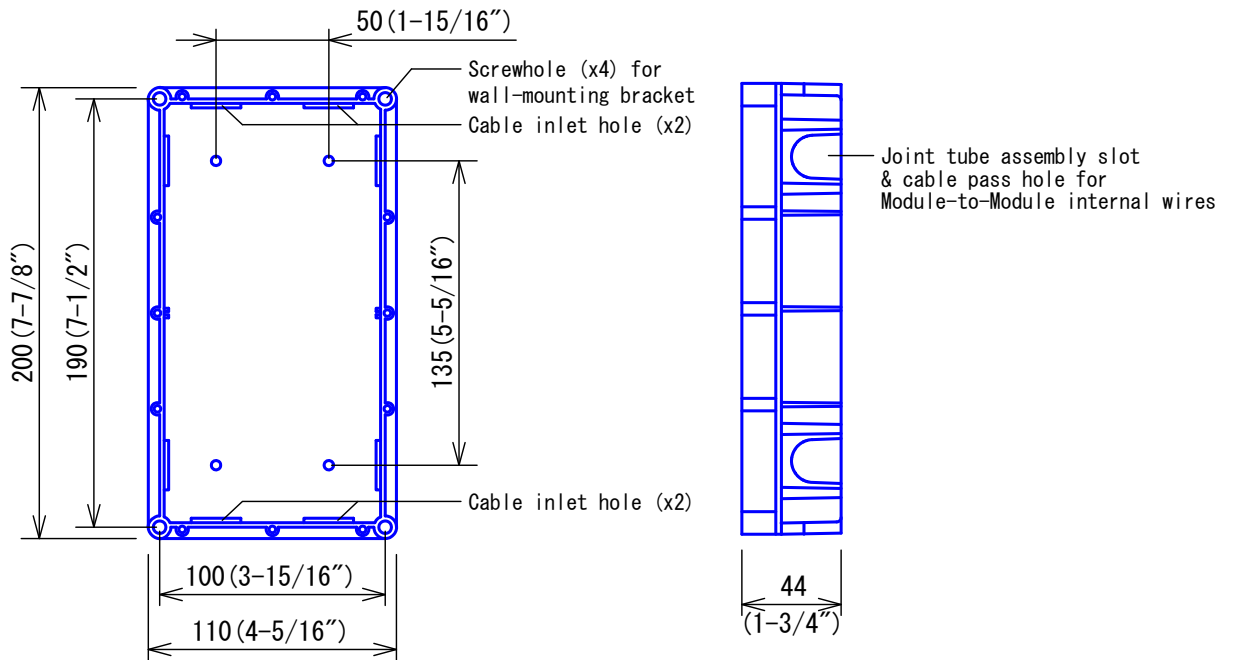
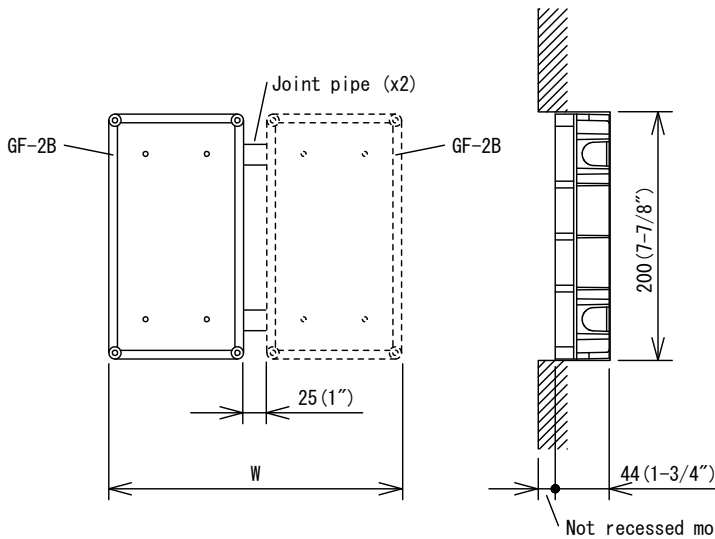


## ■ PRODUCT DRAWING



## ● MOUNTING

Example: Two x GF-2B assembled



Back box	W
1 row	110 mm (4-5/16")
2 rows	245 mm (9-5/8")
3 rows	380 mm (14-15/16")

### Notes:

- \* Opening in the wall should not be more than 59mm (2-5/16") deep.
- \* For best results, mount the back box strictly horizontally.

## ■ SPECIFICATIONS

Mounting	Flush wall-mount		
Material	Self-extinguishing ABS plastic		
Weight	130g (approx.) (0.29 lbs)		
Remarks	Used for: GF-2F front frame		
DESCRIPTION	FIG. NAME		UNIT
2-MODULE BACK BOX	PRODUCT DRAWING		mm
MODEL NO.	FIG. NO.	PAGE	REVISION
GF-2B	52368311-1-1	1/1	3
			DATE
			20 July, 2017
			<b>AIPHONE</b>