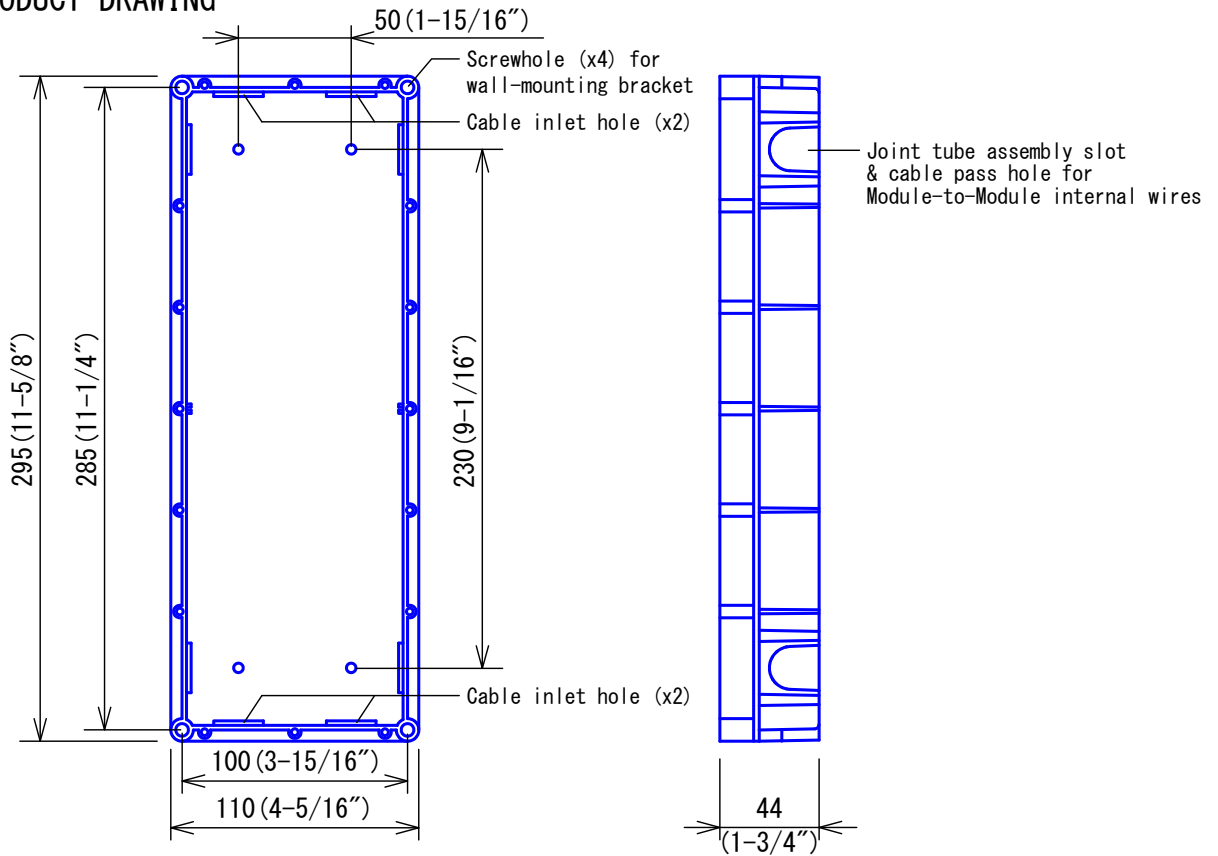
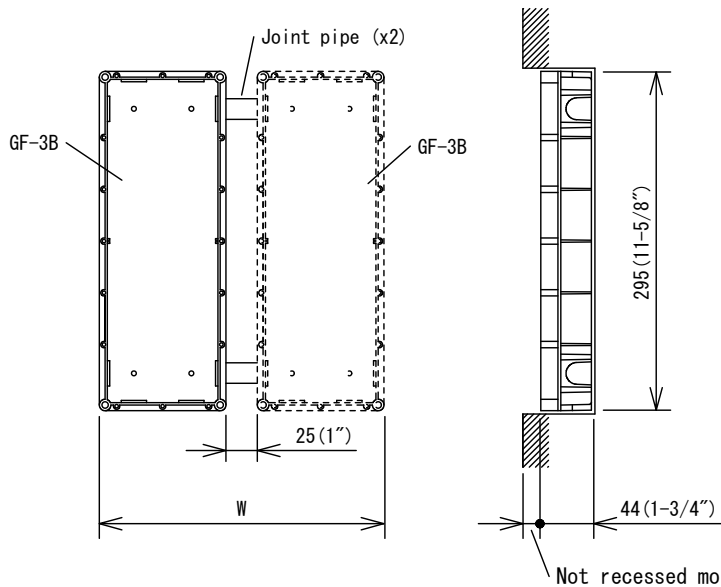


■ PRODUCT DRAWING



● MOUNTING

Example: Two x GF-3B assembled



3-module Back box	W
1 row	110 mm (4-5/16")
2 rows	245 mm (9-5/8")
3 rows	380 mm (14-15/16")

Notes:

- * Opening in the wall should not be more than 59mm (2-5/16") deep.
- * For best results, mount the back box strictly horizontally.

■ SPECIFICATIONS

Mounting	Flush wall-mount		
Material	Self-extinguishing ABS plastic		
Weight	190g (approx.) (0.42 lbs)		
Remarks	Used for: GF-3F front frame		
DESCRIPTION	FIG. NAME		UNIT
3-MODULE BACK BOX	PRODUCT DRAWING		mm
MODEL NO.	FIG. NO.	PAGE	DATE
GF-3B	52379311-1-1	1/1	20 July, 2017
		REVISION	AIPHONE
		3	