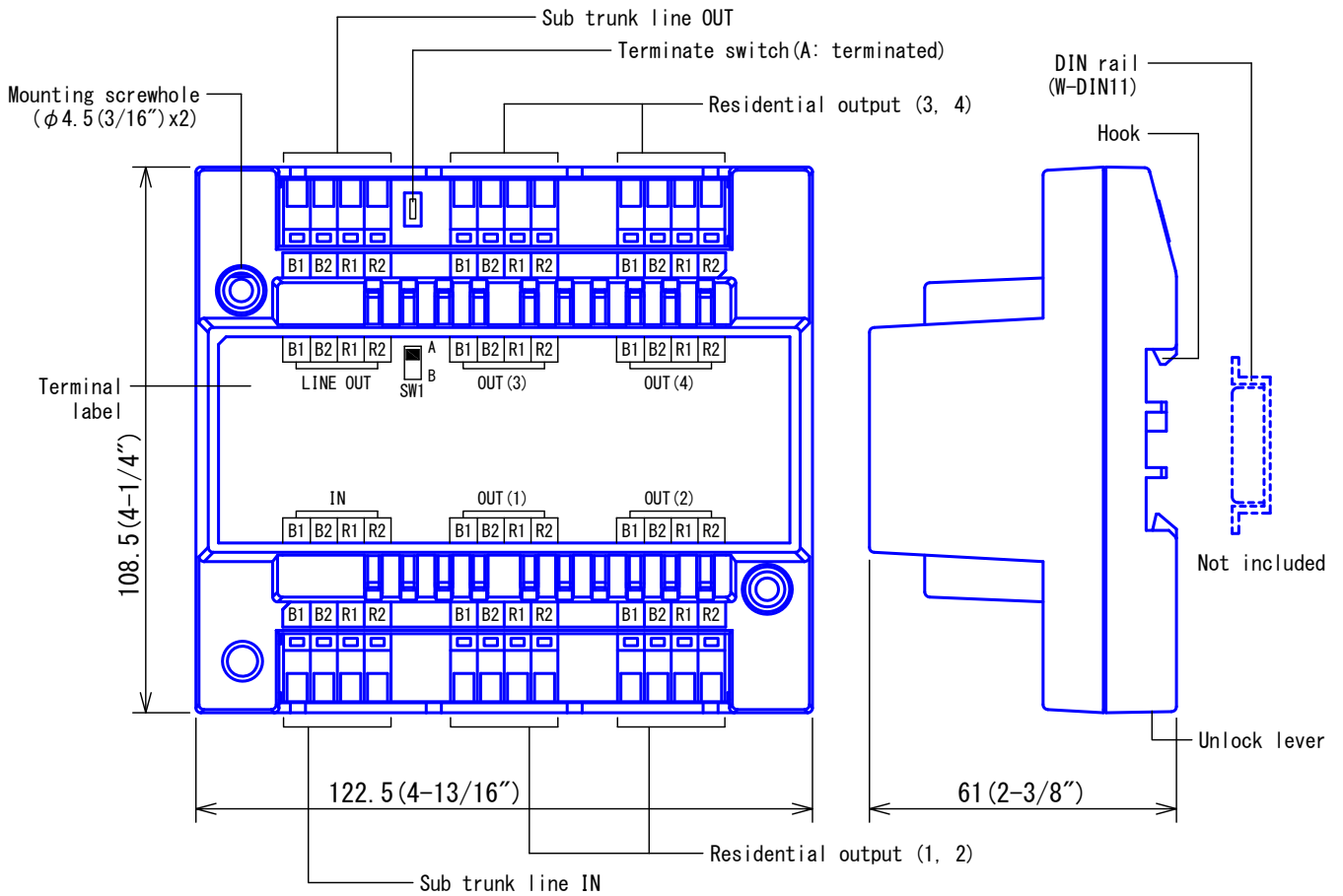
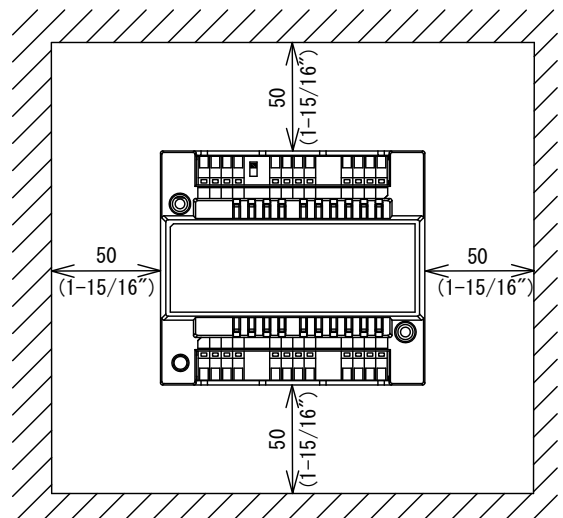
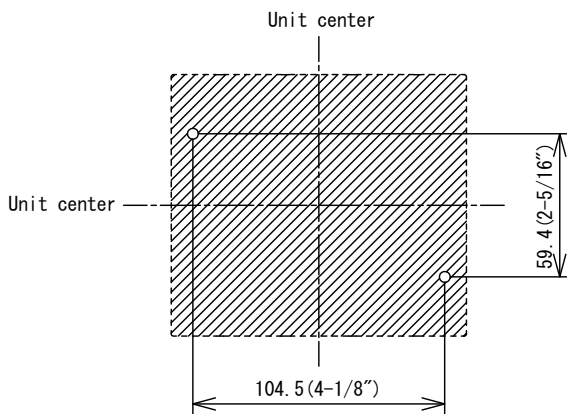


PRODUCT DRAWING



MOUNTING

When DIN rail is not provided



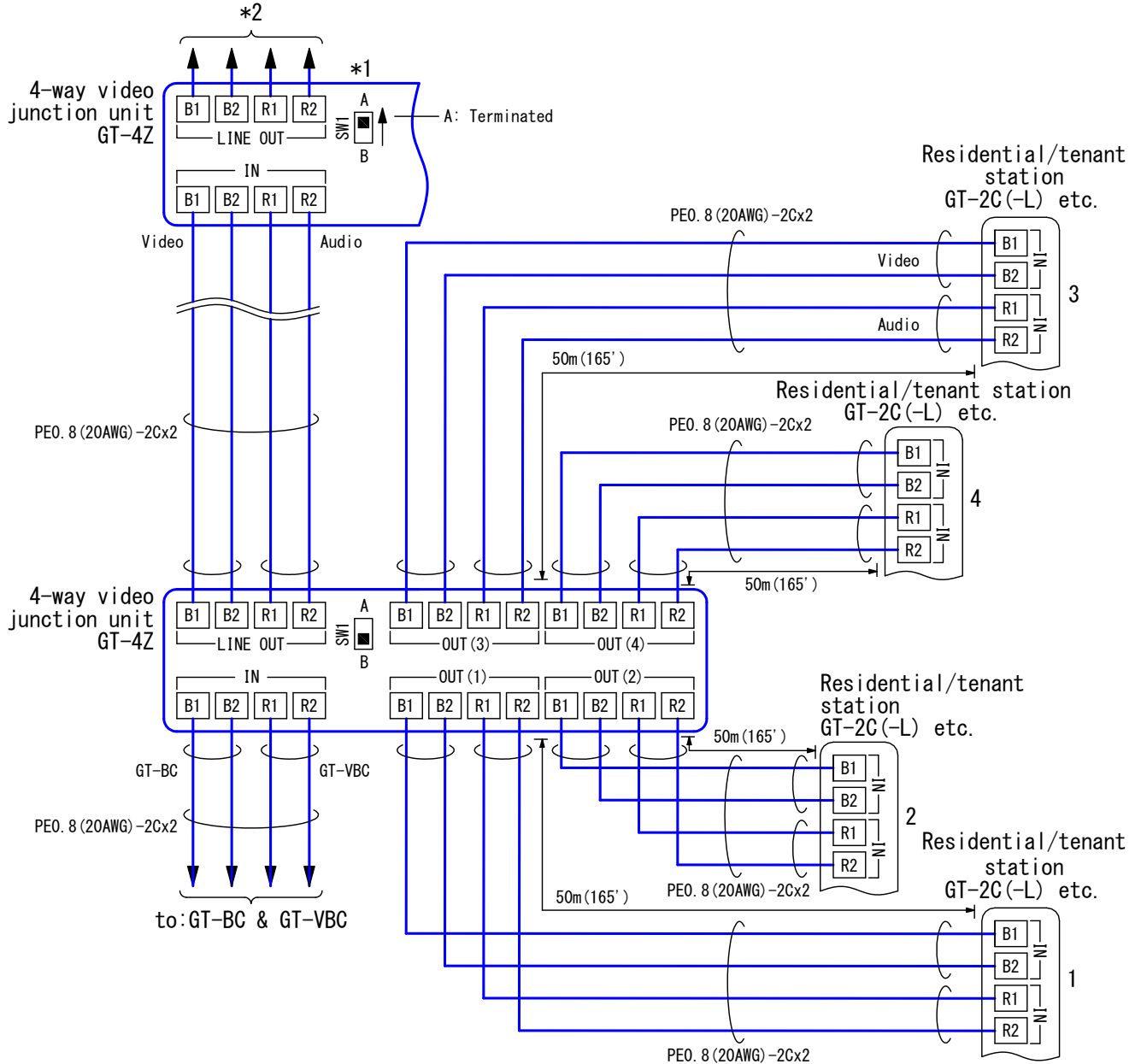
SPECIFICATIONS

* Secure a space inside the enclosure box or between the walls for heat dissipation and servicing purposes.

Ambient temperature	0~40°C (32~140° F)		
Mounting	Surface wall mount or DIN rail (W-DIN11)		
Material	Self-extinguishing ABS plastic		
Unit color	Middle gray (N6.4 Munsell Approximation)		
Weight	190g (approx.) (0.42 lbs)		
DESCRIPTION	FIG. NAME	UNIT	DATE
4-WAY VIDEO JUNCTION UNIT	PRODUCT DRAWING/SPEC.	mm	5 July, 2017
MODEL NO.	FIG. NO.	PAGE	REVISION
GT-4Z	G57545-1-2	1/2	2

AIPHONE

■ WIRING DIAGRAM



- *1. On each Sub trunk line, terminate the last GT-4Z (Set SW1 to A pos.), when its LINE OUT terminals remain vacant.
 *2. The last GT-4Z unit only is available to connect the fifth Residential/tenant station to [LINE OUT] (In this case, set SW1 to B pos.)

PE: Polyethylene-insulated PVC jacket cable

■ RESTRICTIONS

- Trunkage capacity: Up to 6 units GT-4Z may be connected per Sub trunk line.
- Distance is up to 150m(490') away from GT-VBC to the farthest Residential/tenant station.

■ FUNCTIONS

- Distributes in 4 ways audio, video & data signals from Bus control unit(GT-BC) & Video Bus control unit(GT-VBC).

■ SETTING

- Terminating the last GT-4Z unit. (Put SW1 to A position.)

DESCRIPTION	FIG. NAME	UNIT	DATE
4-WAY VIDEO JUNCTION UNIT	WIRING/RESTRIC./FUNC./SETTING	mm	5 July, 2011
MODEL NO.	FIG. NO.	PAGE	REVISION
GT-4Z	G57545-2-2	2/2	2

AIPHONE