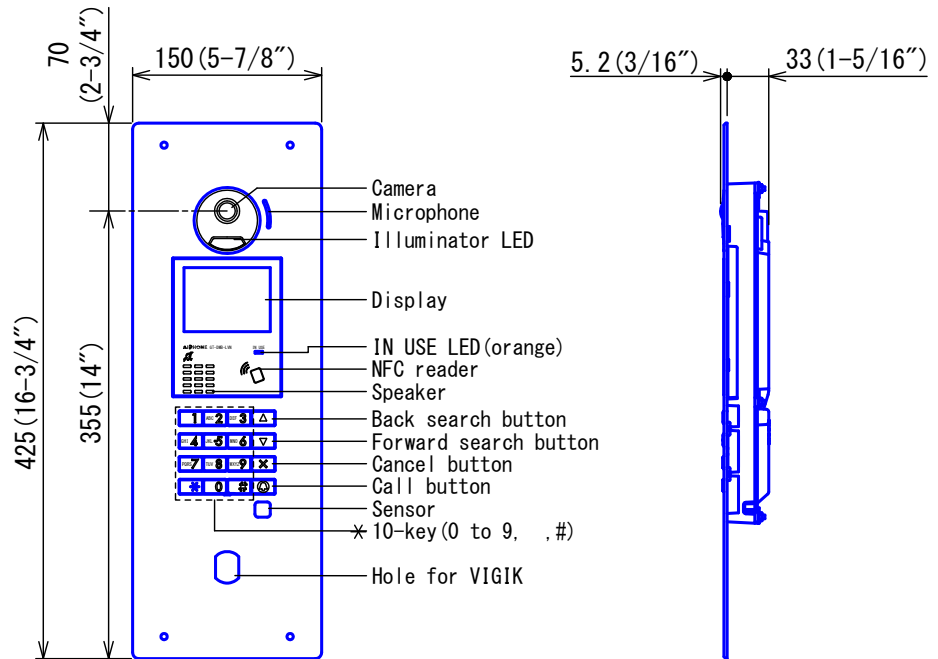
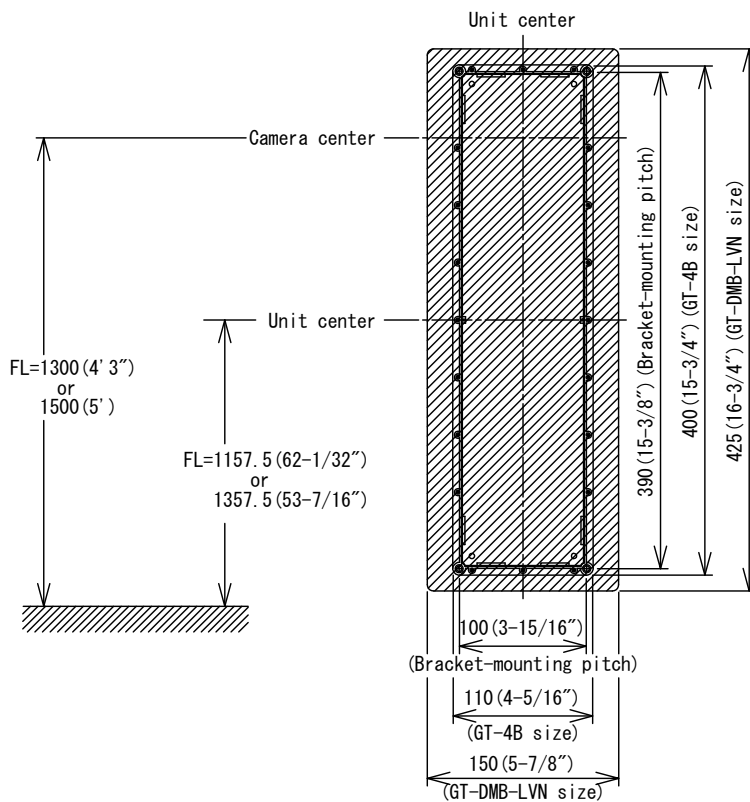


■ PRODUCT DRAWING

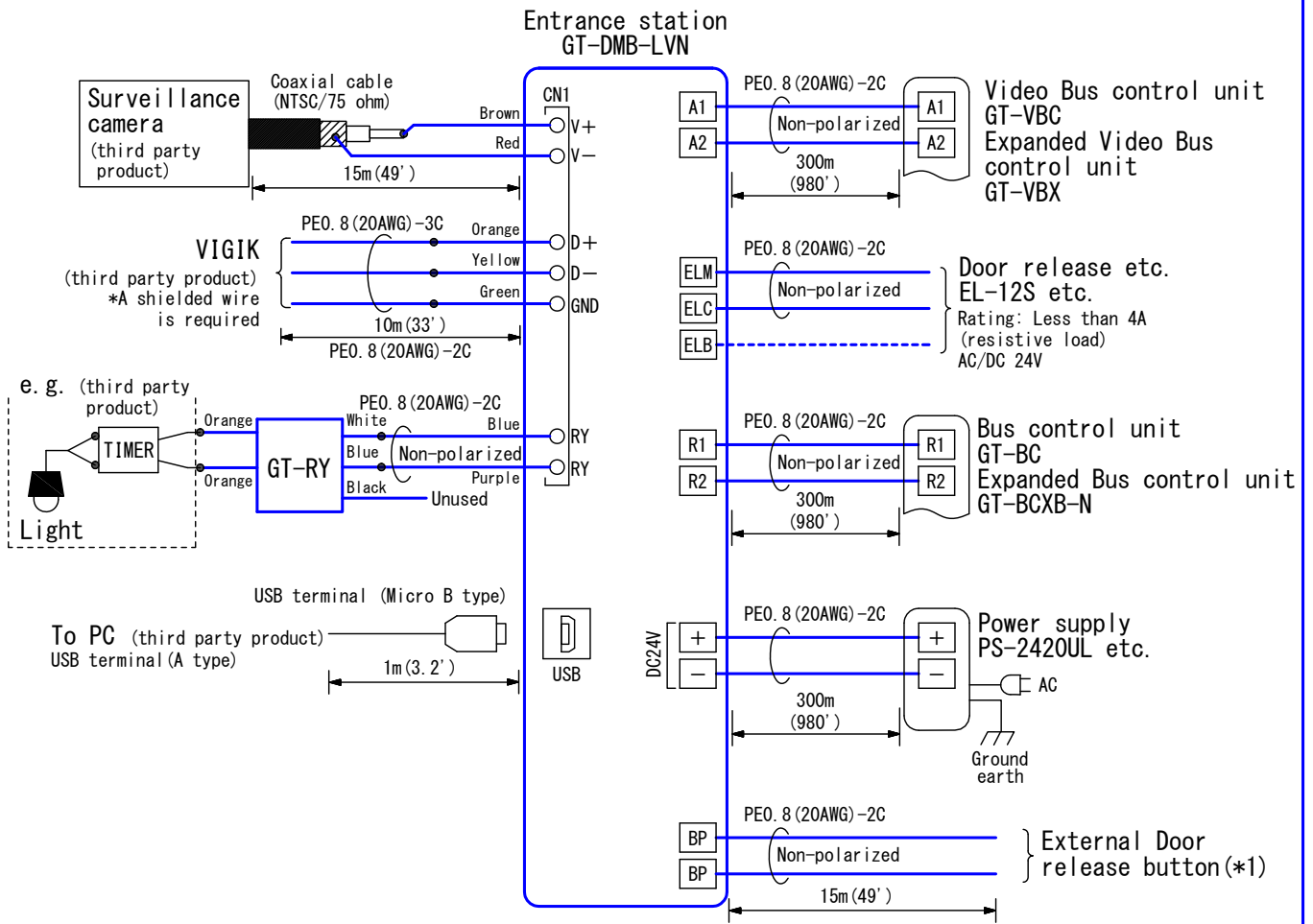


● MOUNTING (using GT-4B)



DESCRIPTION ENTRANCE STATION	FIG. NAME PRODUCT DRAWING	UNIT mm	DATE 8 June, 2017
MODEL NO. GT-DMB-LVN	FIG. NO. G55627-1-6	PAGE 1/6	REVISION 1
			AIPHONE

■ WIRING DIAGRAM



PE: Polyethylene-insulated PVC jacket cable

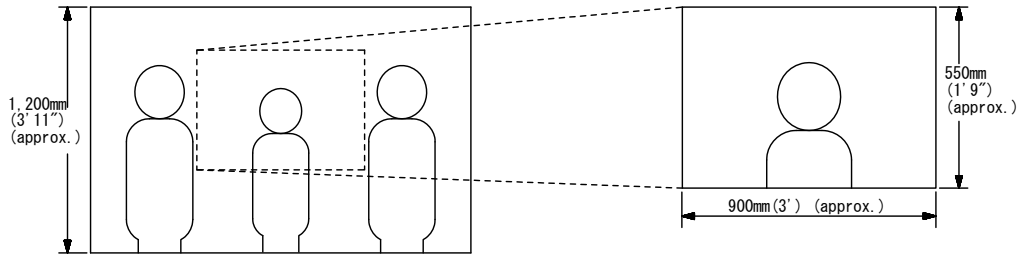
*1. Input specifications

Input method	N/O (Normally Open) contact
Detection confirmation time	100ms or more
Closed contact resistance	1kΩ or less
Open contact resistance	50kΩ or more
Terminal short current	10mA or less
Open circuit voltage between terminals	3.3V DC or less

DESCRIPTION ENTRANCE STATION	FIG. NAME WIRING DIAGRAM	UNIT mm	DATE 8 June, 2017
MODEL NO. GT-DMB-LVN	FIG. NO. G55627-2-6	PAGE 2/6	REVISION 1
			AIPHONE

■ IMAGE VIEW AREA & MOUNTING HEIGHT

● WIDE

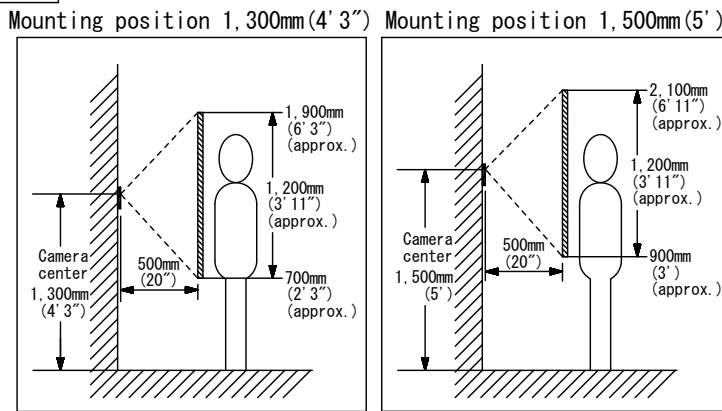


- Objects appear smaller due to greater distortion in the surrounding sections compared to the central section, but a wider area is displayed.
- Image view area depends on the camera zoom position.

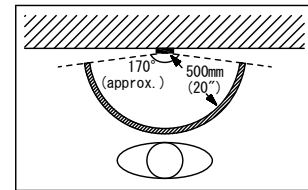
● ZOOM

● WIDE

Vertical



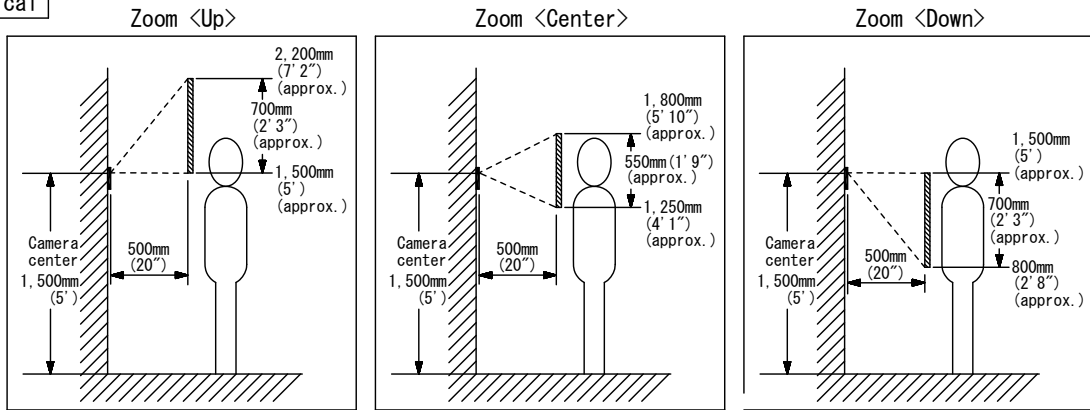
Horizontal



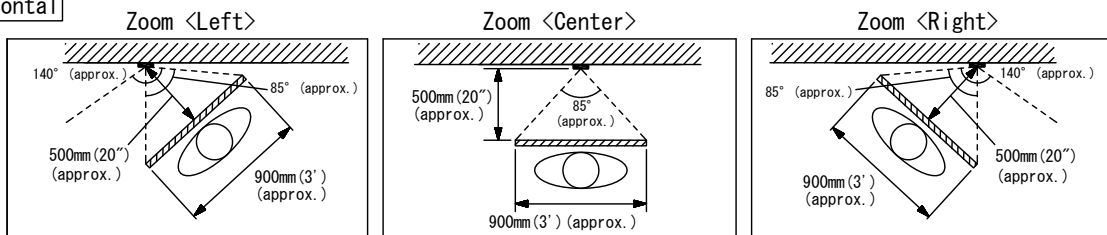
- ◆ An area over a range of approx. 170° in a 500mm (20") radius from the camera is displayed. (The display range is a rough estimation and may change due to the installation environment.)

● ZOOM (Mounting position 1,500mm (5'))

Vertical



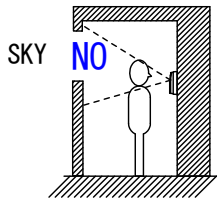
Horizontal



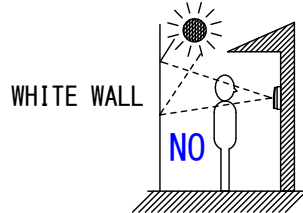
DESCRIPTION ENTRANCE STATION	FIG. NAME IMAGE VIEW AREA	UNIT mm	DATE 8 June, 2017
MODEL NO. GT-DMB-LVN	FIG. NO. G55627-3-6	PAGE 3/6	REVISION 1
			AIPHONE

■ RESTRICTIONS

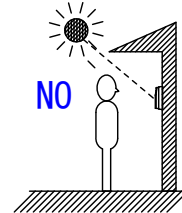
- When use in Main section, the ID1 of Entrance station cannot be used.
- For power supply, use Aiphone power supply model or model specified for use with system.
- Run audio, video and power wire in each separate cable.
- Install vertically.
- Surveillance camera connection is only NTSC signal.
- Avoid to installations in the following locations;



Locations where sky is the background (upper floors of Condominiums, etc.)



The background of the visitor is a white wall.



Where the location is strongly sunlit.

- Wires should be separate from each others.
(Entangling of wires may cause degradation of image quality.)

■ RESTRICTIONS ON WIRING

- For wiring, it is recommended to use a single PVC jacketed cable with PE (polyethylene) insulation.

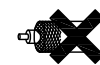
The following cables cannot be used;

- Individual conductors
- Coaxial cable
- Twisted pair cable
- Cable with conductors in odd number

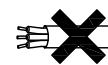
PARALLEL CABLE



COAXIAL CABLE



ODD NO. OF CONDUCTORS



- Keep the intercom wires more than 30cm (12") away from AC power lines, as they may cause noise or other malfunctions. When using an existing cable run, the system may not work properly due to the type of the existing cables. In that case, it will be necessary to install new cables.
- Unused connector lead wire should be cut and insulated.

■ FUNCTIONS

- Calling/communicating with video image with Residential/tenant station or Guard station.
- Audio and pictograph guidance available.
- Activating door release from a Residential/tenant station or Guard station.
- Setting or releasing linkage with a Residential/tenant stations and Guard stations.
- Setting data transfer available to Guard stations and the other entrance stations.
- Name search
- Monitor-sensor-activated auto ON function for display.
- Call operation screen, Greeting message, Picture or Quick list is available to the standby screen.
- VIGIK supports.

DESCRIPTION ENTRANCE STATION	FIG. NAME RESTRICTIONS/FUNCTIONS	UNIT mm	DATE 8 June, 2017
MODEL NO. GT-DMB-LVN	FIG. NO. G55627-4-6	PAGE 4/6	REVISION 1
			AIPHONE

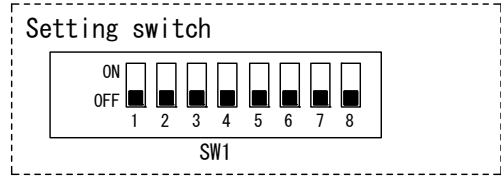
SETTING

PROGRAM MODE

Item		Setting value/choices	Default	
SELECT LANGUAGE		ENGLISH/FRANCAIS/NEDERLANDS/ESPAÑOL/DEUTSCH/NORSK/ITALIANO/TÜRK/SUOMI	ENGLISH	
CHANGE PASSCODE	ADMIN PASSCODE (*3)	NUMBER INPUT	"*" + 4DIGITS	
		NFC CARD	-	
	MANAGER PASSCODE	NUMBER INPUT	"#" + 4DIGITS	
		NFC CARD	-	
PROGRAMMING (*3)	PROGRAMMING (*2)	-	-	
		CAMERA PRESET	1-9	
	TRANSFER DATA	ENTRANCE	1-16	
		GUARD STATION	1-4	
VERIFY PROGRAM (*2)	-	-		
SYSTEM SETTINGS	CALLING METHOD (*3)		NAME/#SEARCH, SECT LIST+UNIT# (*1), UNIT NUMBER, SECT#+UNIT# (*1)	
	SECTION INFO (*3)	SECTION #	1-4 alphanumeric characters	
		SECTION NAME	0-32 alphanumeric characters	
	RESIDENT INFO	UNIT # (*3)	1-6 alphanumeric characters	
		ENTRANCE	0-32 alphanumeric characters	
	GUARD INFO (*3)	GUARD #	1-6 alphanumeric characters	
		GUARD NAME	0-32 alphanumeric characters	
	STATION SETTINGS	ACCESS CODE		NUMBER INPUT
		NFC CARD		
TIMER SETTINGS		OPERATION TIMER (*3)		15-99SEC.
		PROGRAM TIMER (*3)		30-99SEC.
		CALL DURATION		30-99SEC.
		UNLOCK TIMER		00-20SEC.
GUIDANCE LANGUAGE		NO GUIDANCE/ENGLISH/FRANCAIS/NEDERLANDS/ESPAÑOL/DEUTSCH/NORSK/TONE		
SCREEN SETTINGS		SCREEN THEME		A/B
		SCROLL SPEED		0-9
		BRIGHTNESS		0-9
SORT SETTINGS		DISPLAY UNIT #		OFF/ON
		SORT SETTING		SORT BY NAME/SORT BY UNIT#
STANDBY SCREEN		GREETING		160 characters
		OPERATION		-
		PICTURE		-
		QUICK LIST		1-4
MONITOR SETTING		OFF/ON	OFF	
NIGHT LIGHTING		AUTO LIGHTING/ALWAYS OFF	AUTO LIGHTING	
CAMERA SETTINGS		CAMERA DISPLAY		ZOOM/WIDE/ZOOM 3S>>WIDE/WIDE 3S>>ZOOM
		LIGHT OR CCTV (*3)		LIGHT CONTROL/CCTV SWITCH
	CAMERA PRIORITY (*3)		INTERNAL CAMERA/EXTERNAL CAMERA	
	CAMERA PRESET		1-9	
	VISIBILITY		OFF/ON	
OTHER SETTINGS	RS485 SETTING (*3)		AIPHONE/HEXACT®	
	GUIDANCE VOLUME (*3)		1-3	
QUIT		-	-	

- *1. For main entrance stations only.
 *2. For tenant entrance stations only.
 *3. The items cannot be set with the Manager authority.

DESCRIPTION ENTRANCE STATION	FIG. NAME SETTING	UNIT mm	DATE 8 June, 2017
MODEL NO. GT-DMB-LVN	FIG. NO. G55627-5-6	PAGE 5/6	REVISION 1
			AIPHONE



SETTING

- Sets this entrance station as used for either a multi building system or single building system. (Multi building system/Single building system)..... SW1-1
- Sets the ID of this entrance station. (ID 1-16)
 - * (9)-(16): GT-BCXB-N Common trunk line 2 SW1-2 to 4
- Sets the event that triggers the LCD (Sensor detection/Operation of this unit) SW1-7
- Resets the Admin Passcode and Manager Passcode when this unit is initialized by setting this switch to ON for 2 seconds. SW1-8
- Unused..... SW1-5, 6

SPECIFICATIONS

Power source	DC 24V. Supplied from a power supply unit (PS-2420 etc.)
Type of communication	Open voice communication (Voice-actuated)
Ambient temperature	-10~+60°C (+14 ~+140° F)
Monitor	3.5 inch TFT color LCD
Pixels	230,000 pixels (approx.), QVGA (320×240)
Mounting	Flush wall-mount
Material	Panel: Stainless steel Case: Self-extinguishing ABS resin
Unit color	Panel: Stainless steel with hairline finishing Case: Black
Weight	1,500g (approx.) (3.3 lbs)
Electrical box	GT-4B (not included)
IP rating	IP54
IK rating	IK07
Remarks	NFC receiver is equipped (Card type A, F) VIGIK available

DESCRIPTION ENTRANCE STATION	FIG. NAME SETTING/SPECIFICATIONS	UNIT mm	DATE 8 June, 2017
MODEL NO. GT-DMB-LVN	FIG. NO. G55627-6-6	PAGE 6/6	REVISION 1

