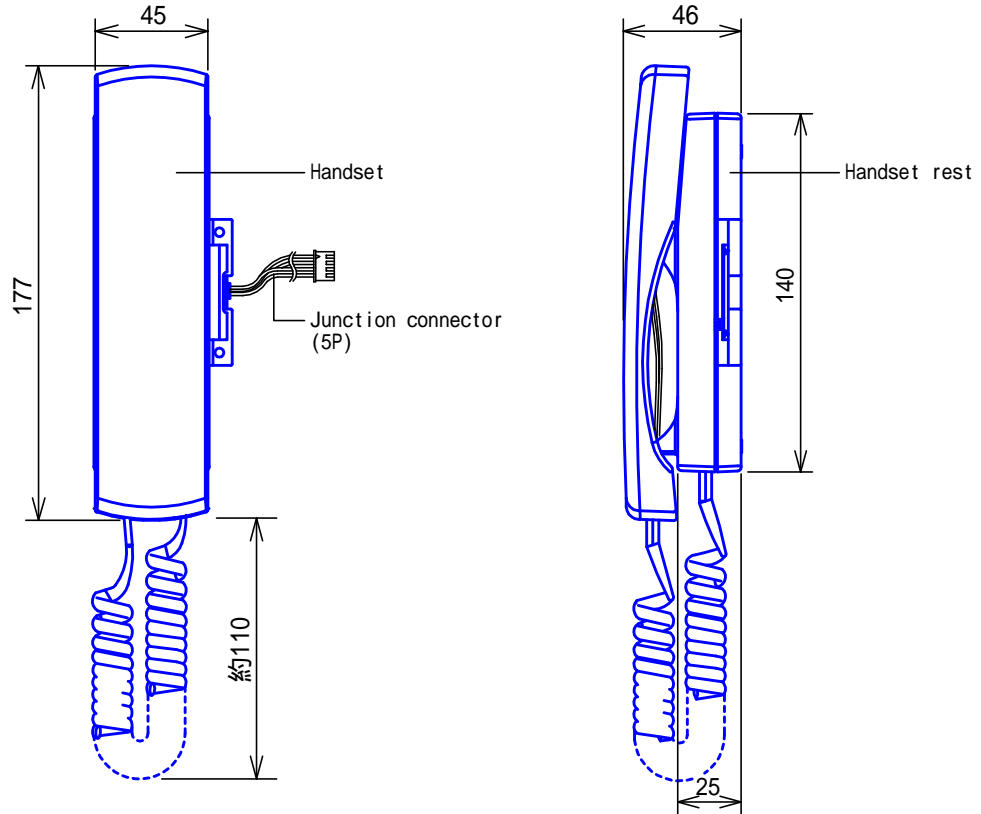
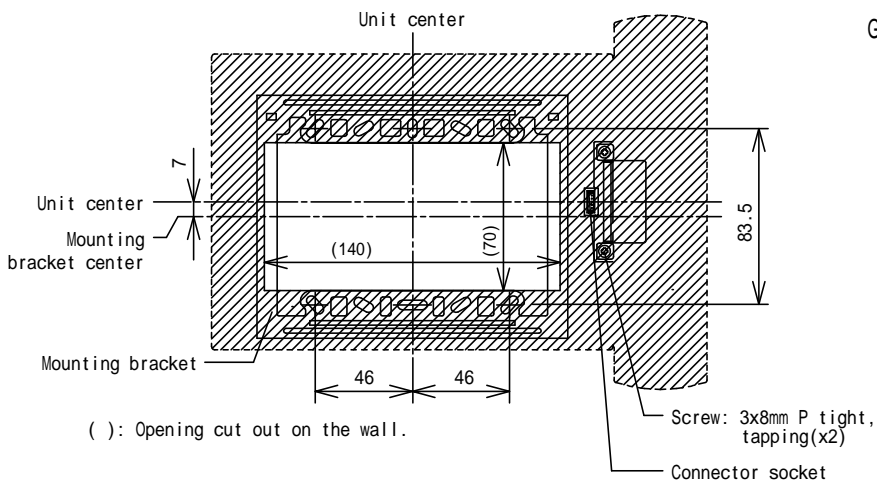


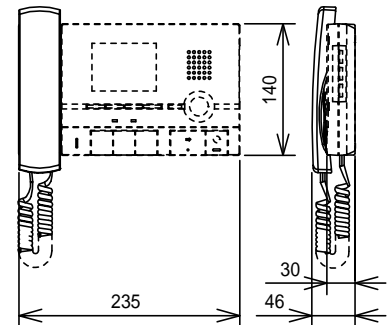
## PRODUCT DRAWING



## MOUNTING



## GT-2C-L UNITIZED WITH GT-HS



## FUNCTIONS

By lifting handset, communication turns from handsfree to private auto-voice actuation.

## SPECIFICATIONS

Communication	Auto voice actuation through handset			
Connection model	GT-2C(-L), GT-2H(-L),GT-1C(-L)			
Unit color	White (5Y9.3/0.1 Munsell Approximation)			
Weight	180g(approx.)			
DESCRIPTION OPTIONAL HANDSET	FIG. NAME PRODUCT/SPEC./FCN.		UNIT mm	DATE 7 May, 2012
MODEL NO. GT-HS	FIG.NO. G57697-1-1	PAGE 1/1	REVISION 2	<b>AIPHONE</b>