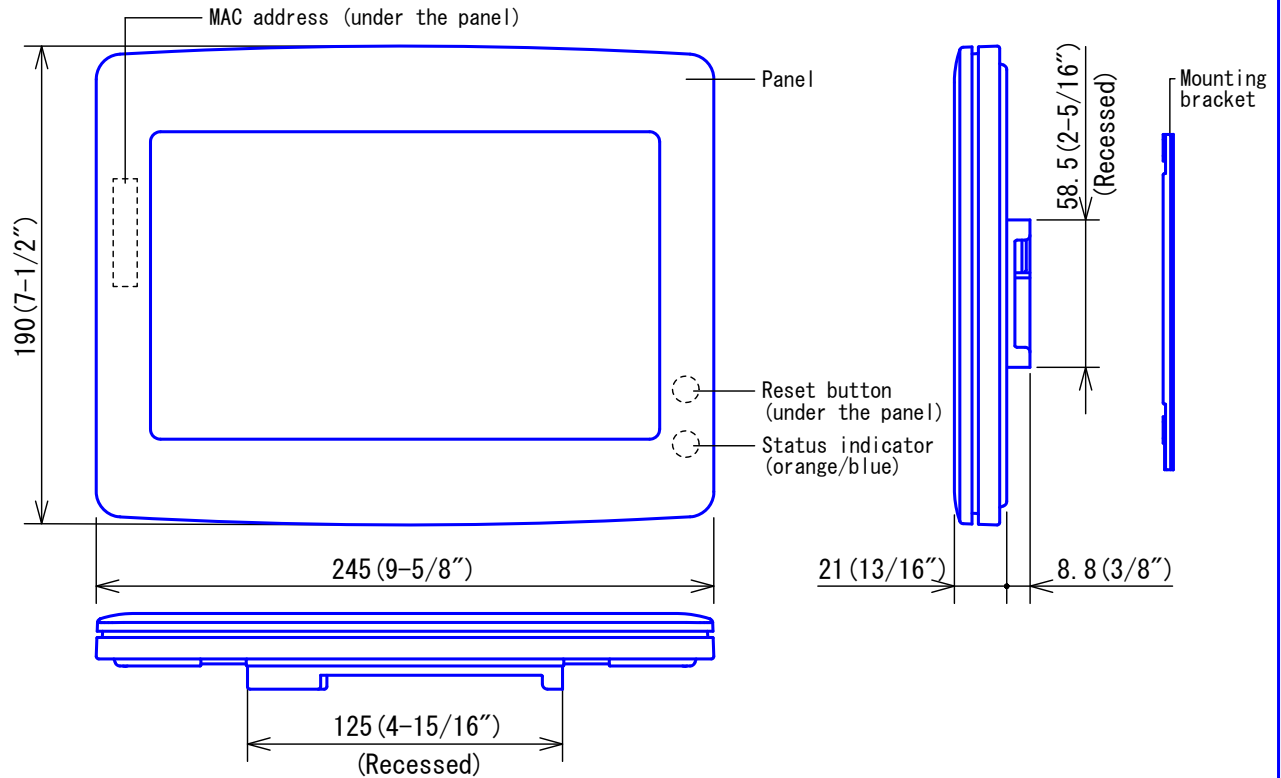
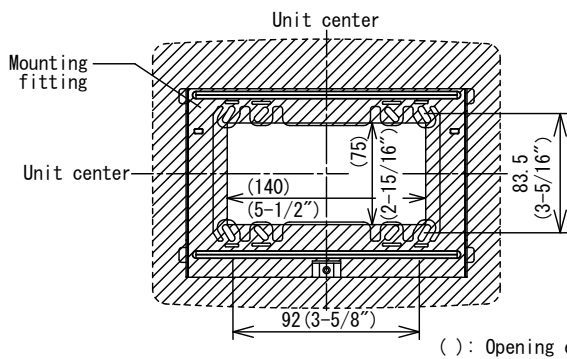


PRODUCT DRAWING

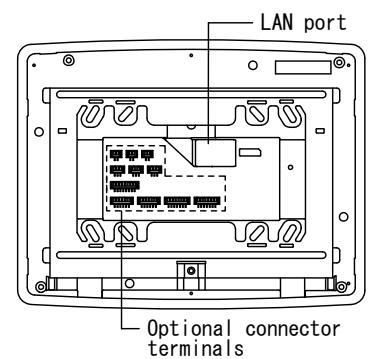


MOUNTING



The adapter should be installed so that the repair or maintenance work is carried out easily.

<Back view>



SPECIFICATIONS

Power source	Power-over-Ethernet (IEEE 802.3af Class 0)
Current consumption	Standby 43mA, maximum 135mA
LAN	Ethernet (10BASE-T, 100BASE-TX) Auto MDI/MDI-X-compatible
Protocol	IPv4, IPv6, TCP, UDP, SIP, HTTP, HTTPS, SMTP, SFTP, DHCP, NTP, DNS
Encryption method	TLS1.0, TLS1.1, TLS1.2
Packet delivery	Unicast
Ambient temperature	-10~+50°C (+14~+104° F)
Mounting	Wall-mount
Electrical box	3-gang (recommendation) or 4-gang box
Material	Self-extinguishing PC + ABS resin
Unit color	Snow white (5Y9.3/0.1 Munsell Approximation)
Weight	630g (approx.) (1.39 lbs)

DESCRIPTION	FIG. NAME	UNIT	DATE
MULTI-PURPOSE ADAPTER	PRODUCT DRAWING/SPECIFICATIONS	mm	19 December, 2018
MODEL NO.	FIG. NO.	PAGE	REVISION
IXW-MA	165186-1-4	1/4	1

AIPHONE

■ RESTRICTIONS

- A PoE-compatible switch must be used as the switch (hub) for station connection.
- A computer is required to make system settings.
IX system can be configured in one of the two methods, "IX Support Tool" application or Web browser. Once the system has been configured through a browser, the settings cannot be transferred to IX Support Tool. The IX Support Tool is recommended for system settings management.
- While updating the System settings, stations unavailable.
- The product should be installed in a place where it is not in contact with a part of the human body or other materials.
- This product should not be installed in a place under the roof or on the floor.

■ RESTRICTIONS ABOUT THE NETWORK

- When connecting via the Internet (global IP networks), VPN Service is necessary.
- We do not recommend using a wireless communication such as wireless LAN as it may not operate correctly due to security issues or communication speed delays.
- For IPv4 Address with DHCP, due to the architecture of the IX system, DHCP configuration is only recommended for network environments utilizing managed (static) IP address leasing.
- For stateless IPv6 Address, do not change the prefix of the device so that it cannot transmit Router Advertisement (RA).
- For IPv6 Address with DHCP, due to the architecture of the IX system, DHCP configuration is only recommended for network environments utilizing managed (static) IP address leasing.
The DUID of the device: 00030001 + MAC address
- Depending on the network environment and computer, prior arrangements and setup operations involving the network administrator might be necessary.
- Depending on the network environment, operation delays might occur.
- The protocols used by this system must be supported.
- IPv4 and IPv6 cannot be mixed in the same system.

■ FUNCTIONS

- Option Input
The following functions can be assigned to each of the four option inputs.
API: Send API command by option input.
- Relay Output
The following functions can be assigned to each of the ten relay outputs.
Contact Change SIF Event: Trigger a relay output when receiving the SIF command of the relay output of another station.
Option Relay Control: Trigger a relay output when receiving making a relay output instruction from another station.
- Indicators

Name	Status*	Description
Status indicator	Orange flashing	Booting
		Device failure, startup error
		Communication failure
		Updating Firmware
	Initializing	
	Blue light	Standby

*. The flashing pattern varies depending on the state of adapter.

DESCRIPTION MULTI-PURPOSE ADAPTER	FIG. NAME RESTRICTIONS/FUNCTIONS	UNIT mm	DATE 19 December, 2018
MODEL NO. IXW-MA	FIG. NO. 165186-3-4	PAGE 3/4	REVISION 1 AIPHONE

■ SETTING

- Station settings
Configure on the station
- WEB settings
Configure using a PC
System requirements

Network	Ethernet(10BASE-T, 100BASE-TX)
Web browser	Microsoft Edge / Internet Explorer 10.0, 11.0 / Mozilla Firefox 59, 60(TLS1.0, 1.1 or 1.2 enabled)

- Using the "IX Support Tool" application
Install the application on a PC and use to create the setting file for all stations.
Refer to "■ IX SUPPORT TOOL"

■ IX SUPPORT TOOL

- System requirements

OS	Windows 7 Professional, Windows 7 Enterprise, Windows 7 Ultimate Windows 8, Windows 8 pro, Windows 8 Enterprise Windows 8.1, Windows 8.1 pro, Windows 8.1 Enterprise Windows 10 Home, Windows 10 pro, Windows 10 Enterprise Windows 10 Education
CPU	32 bit (x86) processor or 64 bit (x64) processor of 1 GHz or higher
Memory	4 GB RAM or higher
Screen resolution	1280x768 or greater

- Functions
 - Settings(Table View)---All stations in the system can be configured from the Settings window.
 - Settings(Station View)---Configure each station in the system individually.
 - Setting File Download---Store the Settings File
 - Setting File Upload---Upload the Settings File
 - Station Search---Search the stations in IX System connected in the network to show the list.
 - Station Replacement---this feature to replace a station.
 - Restore System Settings---If the setting file is lost, the setting file can be restored.
 - Update Firmware---Update the firmware for the station.
- Restrictions
 - If the station was configured or modified using the web interface, the setting file cannot be downloaded using the IX Support Tool.

■ IX SUPERVISION TOOL

Install the application on a PC and use to Line supervision and device check for stations.

- System requirements

OS	Windows 7 Professional, Windows 7 Enterprise, Windows 7 Ultimate Windows 8, Windows 8 pro, Windows 8 Enterprise Windows 8.1, Windows 8.1 pro, Windows 8.1 Enterprise Windows 10 Home, Windows 10 pro, Windows 10 Enterprise Windows 10 Education
CPU	32 bit (x86) processor or 64 bit (x64) processor of 1 GHz or higher
Memory	4 GB RAM or higher
Screen resolution	1280x768 or greater

- Functions
 - Line Supervision---By checking the response to a ping, this feature confirms that the station is properly connected to the network.
 - Device Check---This function to determine whether stations are operating normally or malfunctioning.
 - Download Video and Audio---To download recordings of the Door Stations.

DESCRIPTION	FIG. NAME		UNIT	DATE
MULTI-PURPOSE ADAPTER	SETTING/ IX Support Tool/ IX Supervision Tool		mm	19 December, 2018
MODEL NO.	FIG. NO.	PAGE	REVISION	AIPHONE
IXW-MA	165186-4-4	4/4	1	